

# EcoDry™

## MANUAL

Note, please read the instructions before ordering or starting installation.

### How it works

#### Porcelain

Porcelain is much more hygienic and easier to keep clean than other materials such as plastic or similar. And of course – it lasts much longer.

#### Urine hose

A urine hose is mounted below the urine bowl. Urine diversion is best for composting, and provides a odorless experience. Water flush is possible in the urine bowl.

#### Drop pipe 200 mm

Black 200 mm (OD) drop pipe of polyethylene. The surface of the pipe is smooth, so that feces do not stick to it. Its long length means that the waste is not visible. A 8" ABS or PVC pipe can be substituted.

#### Urinary Drain 50mm(OD)

Urine drainage from the floor down to the urine receptacle.

#### Urine Container

The urine can be collected easily in a container. Mix 25% urine and 75% water for use as plant nutrients. Or mix with filtered graywater for subsurface plant irrigation.

#### Water connection

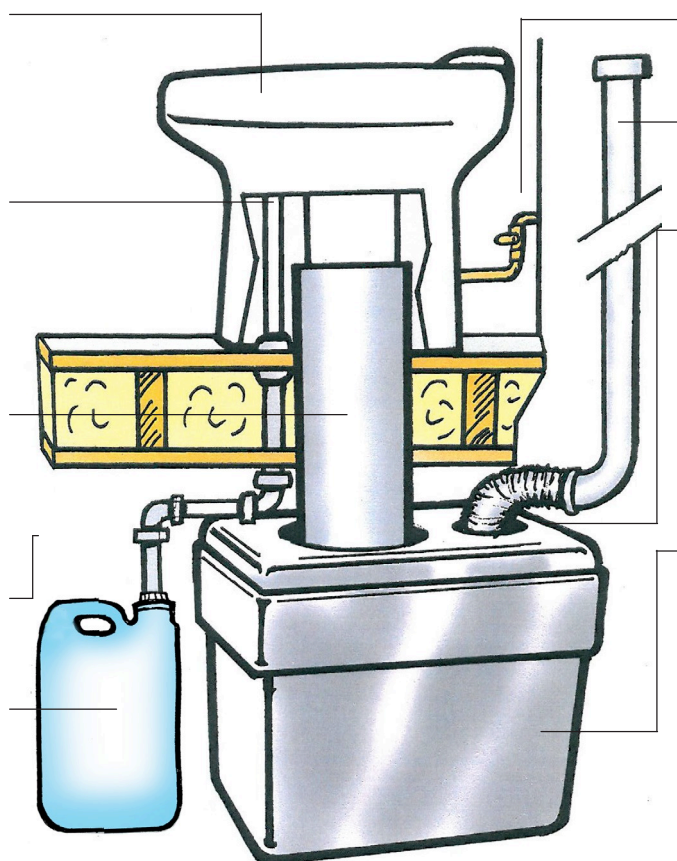
If water supply is possible, use R15 1/2".

#### Ventilation

Evacuates odors and airborne bacteria above the roof.

#### Fan

A fan can be mounted on the lid.



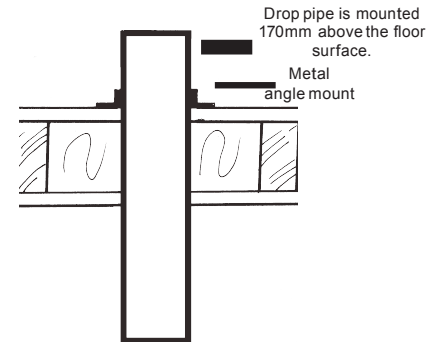
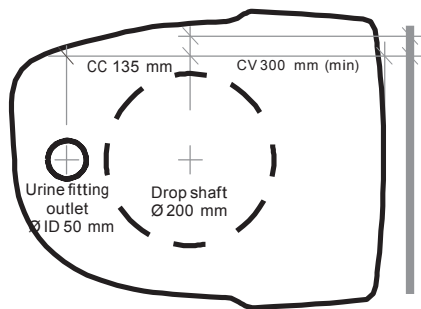
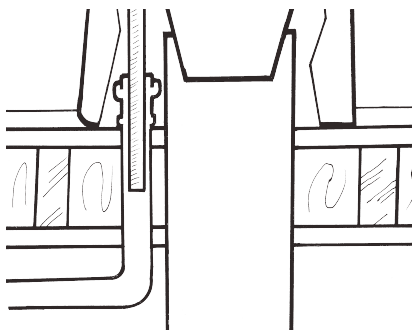
### Details:

- Water supply: Flexible stainless steel hose. 1/2", R15
- Water flush: Water flush possible in the urine bowl.
- Power water flush: 9V battery (lasts about a season). Solenoid flushes as long as the button is pressed. Battery eliminator can be selected as options.
- Dimensions: Height 450 mm, width 395 mm, depth 580 mm (note the new higher standard = 450 mm)
- Urine outlet: 50 mm OD
- Assembly: Toilet is glued to the floor using bathroom silicone. Toilet is stable and should not be screwed.
- Drop shaft: 200 mm (diameter). Black polyethylene (is not included).
- Toilet Seat: Standard white plastic seat





# Example installation WC



## 1. Find exact location

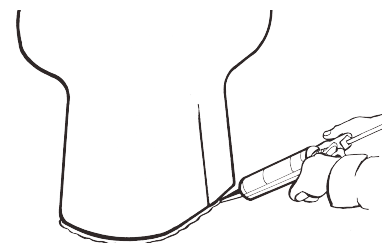
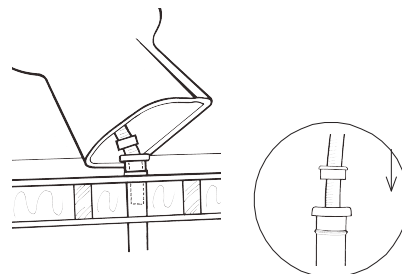
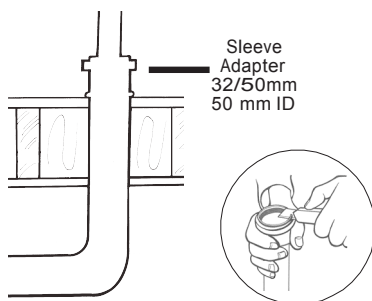
- Check that the holes don't hit radiant heating coils, electric wires, etc.
- Does the Carousel fit beneath the floor? How deep down does the drop pipe need to be?

## 2. Mark and cut holes

- Mark holes as described above.
- Cut up the holes

## 3. Mount the drop pipe

- Adjust the length of the 200mm pipe. Should stick up about 170 mm above the floor and down into the Carousel (not more than 3 inches or the inner bins can't be turned).
- Fix the pipe to the floor with angles. (Note, a polyethylene 200 mm pipe cannot be glued. Use an 8" ABS or PVC pipe instead)
- Seal the gap between the floor and drop pipe with silicone.



## 4. Install urine drains

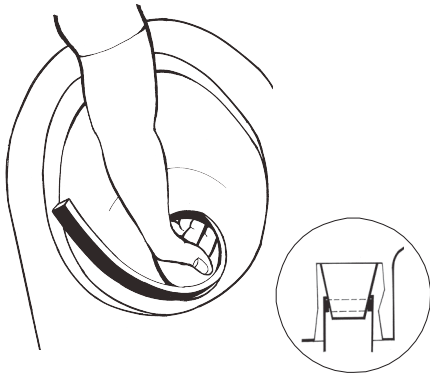
- 50 mm OD PP pipes, through the floor and connects to the urine receptacle.
- Slide the white sleeve adapter down to the floor and seal it with silicone.
- Some brands of 50 mm pipe, have a high edge or burr. In that case – cut edge with a knife so plastic bushing may come down enough (Located on the urine tube).

## 5. Install the urine hose

- Cut the urine hose to about 30 cm. (Must be too long and push into the 50 mm pipe.)
- Rest chair on the side, so that The urinary hose can easily pushed into the sleeve adapter
- Insert the hose
- Push the white plastic bushing on the urine hose down (50mm). It should be seated properly.

## 6. Place and glue toilet

- Put down the toilet so it fits the 200 mm - pipe.
- Place a bead of silicone around the toilet. Smooth with a damp finger.



## 7. Mount the seal strip

- Push the seal strip (included) up between the drop shaft and the porcelain. Push the strip up as far as your fingers can reach to perfect the seal.
- Seals and makes the ventilation work properly, and prevents bacteria and odor from coming up into the toilet room.

## 8. Water supply – if possible

- Install a water supply shutoff valve on the wall 20 cm above the floor.
- Screw on EcoDry's water connection R15.
- If water connection doesn't exist, rinse urine bowl manually with a little water after use.