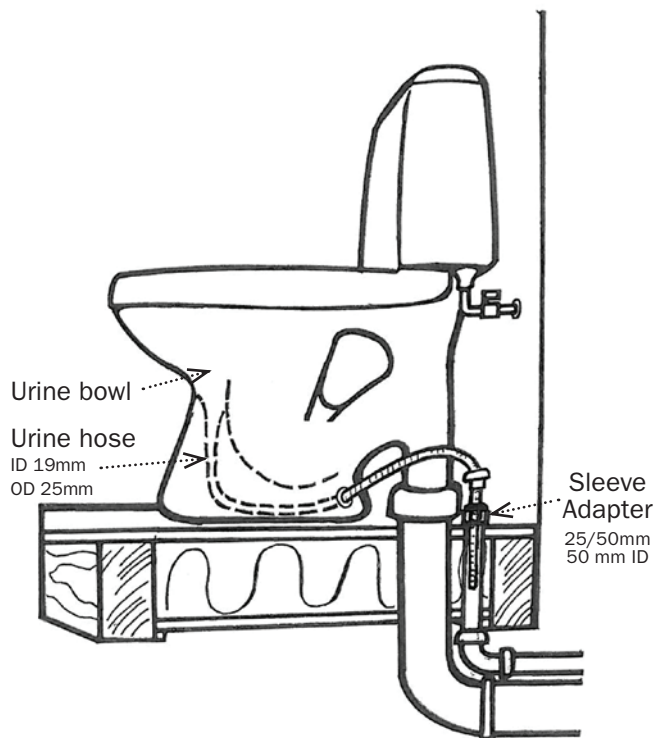


# EcoFlush™

## MANUAL

NOTE, read the entire manual before ordering the toilet or installation is started.



### How EcoFlush™ works

Urine diverting toilet to save water in sewage systems. Connected to the sewage tank. Advantages: Extra-low water consumption, less tank emptyings, and the possibility of using urine for fertilizer.

External, EcoFlush looks like a regular toilet. Inside is a urine-separating front. Two flushes. Large flush button for faecal: approximately 2.5 liters, small flush button for the urine bowl: about 0.3 to 0.5 liters. Average water consumption is about 1 liter / flush. (average of 6 flushes/day/person). EcoFlush consumes approximately 70-90% less than other toilets (other "low flush" toilets use about 3 liters).

The urine is led either to a separate urine tank or to a common septic tank for all the waste water.

### Included:

- EcoFlush toilet RSK 7809023
- Toiletseat (white plastic self-closing)
- Urine hose 75cm (glued to urine bowl)

### What you need:

- Waste water tank
- Pipelines
- Glue, eg transparent wet room silicone

For accessories to hidden urine drains, look under each option for the info.



### Details:

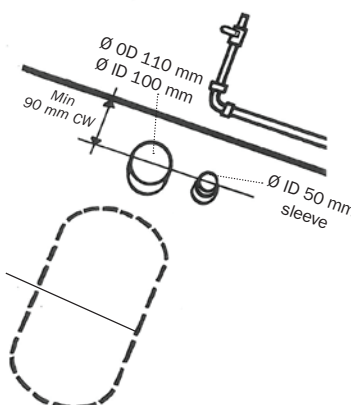
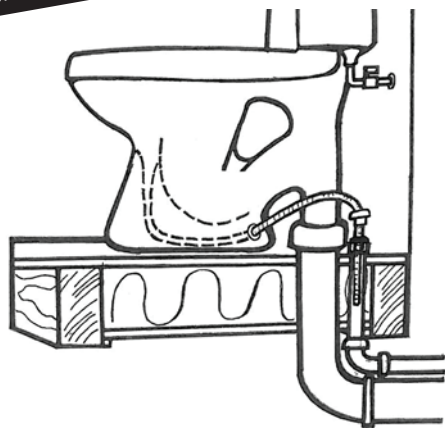
- Water supply:** Flexible stainless steel hose. 1/2" R15
- Water flush:** Big flush: 2,5 l, Small flush: 0,3 l
- Dimensions:** Height 420 mm, width 360 mm, depth 650 mm.
- Urine drain:** Possible in many ways (see next page). Choose visible or hidden urine hose when ordered. 50 mm transition adapter is included.
- Dimension outlet:** 110 mm OD. (100 mm ID)
- Toilet seat:** Seat in standard size. White plastic. Self-closing.



# WC-fitting & Outlet

The urine is led either to a separate urine tank, if you want to take care of the urine itself, or to a common sewage tank, for those who only want to use EcoFlush to save water. Be aware of the Inner Diameter (ID) and Outer Diameter (OD) regarding the standards in your region or country.

Delivered as standard

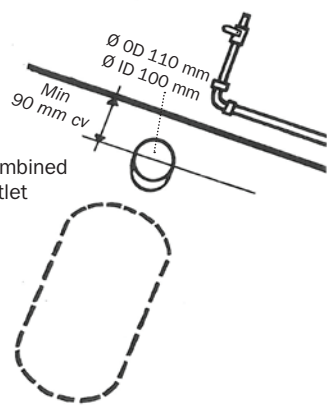
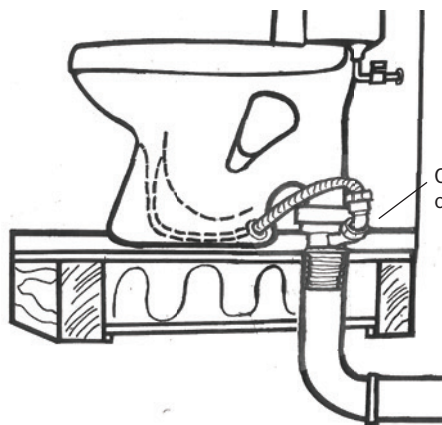


## Diverting outlet

Separate urine drains into the urine tank. Take care of the urine itself. Visible white urine tube.

**Needed:** Fittings for urinary drainage, urine tank, sewage tank

**Supplies:** White rubber sleeve (RSK 3107417), white plastic cover (RSK 8082005)



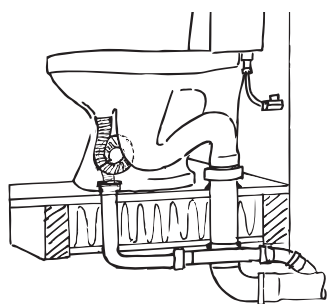
## Common outlet

Common waste water tank. Saves water by reducing the amount of flush water, but do not have to separate urine tank. Urine tube led to the common drain with toilet flange. Good alternative if such concrete slab is already cast for the regular toilet. Visible white urine tube.

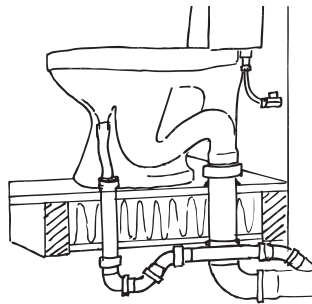
**Needed:** Combined outlet (with extra inlet) (RSK 3106664), waste water tank



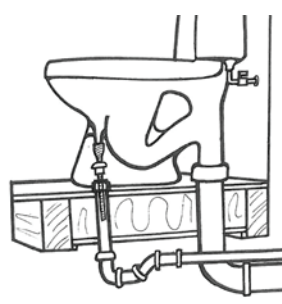
## Alternative solutions for hidden drainage:



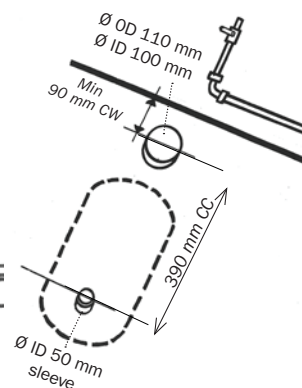
Diverting urine drainage with circle as stretch trap.



Common drainage

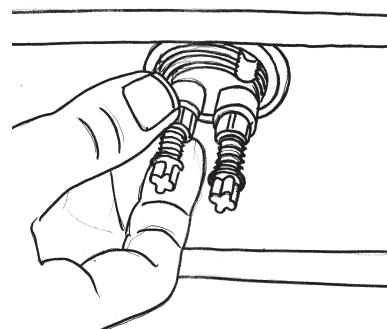
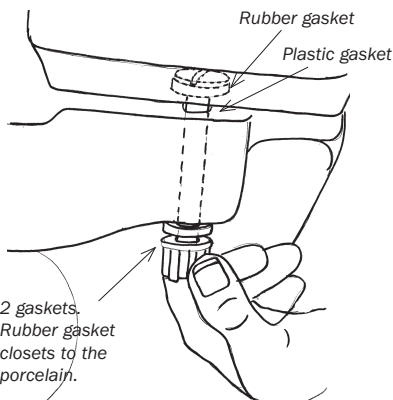
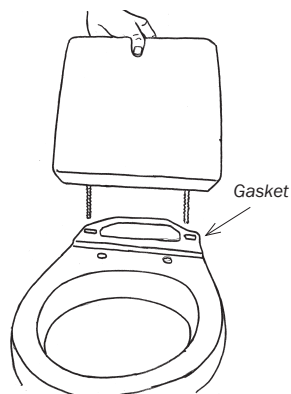


Diverting drainage





# Mounting toilet tank



## 1. Mount tank

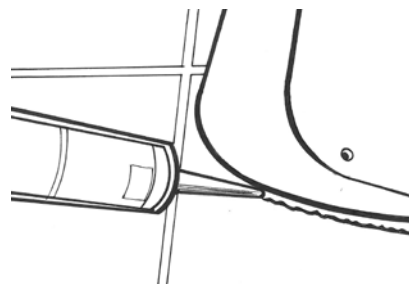
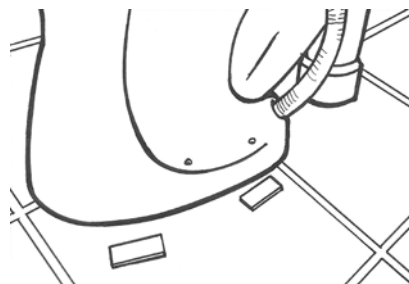
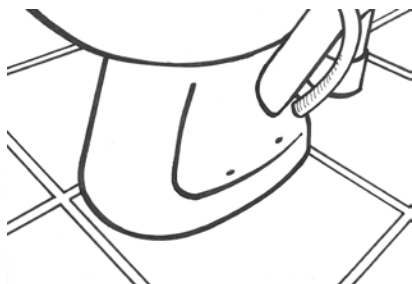
Insert the plastic screws in the holes in the tank, and further down into the holes of the toilet bowl. Glue tank gasket carefully. N.B. that the rubber gasket on the plastic screws are located right inside the tank, so that it is tight.

## 2. Screw the tank

Tighten the nuts on the bottom while the tank is kept in place. N.B. the rubber gasket should be closest to the porcelain. Then plastic gasket.

# Fixing to the floor

The floors in bathroom usually leans so that water will drain to floor drain. To compensate for this and get a horizontal toilet, use the attached plastic spacers underneath the toilet to adjust height. Plastic Spacers for 4, 2 and 1 mm attached. Do not screw the toilet, because the risk of damaging the membrane.



## 1. Place the toilet

Set toilet on site. Check the slope using a spirit level.

## 2. Compensate ev. slope with spacers

Combining the different spacers until the toilet is horizontal. Use a spirit level.

## 3. Glue

Put a string of glue (eg bathroom silicone). The smooth the string with moistened finger.



- **Clean the urine hose once a year**

At least once a year, or when needed, the urine hose should be cleaned by flushing hot water into the urine hole. Make short forced flushes with hot water with for e.g. a specific hose connected to the sink. We favour the use of just hot water, but if you have to use chemicals instead use citric acid, caustic soda or som kind of drain cleaner.

- **Flush volumes – your responsibility**

It is the owners responsibility that the flush volumes are set to fit the current sewage system or septik tank. By default the volumes are set to 2,5 liter (big flush) and 0,3-0,5 liters (small flush). For further instructions, please see the flush valve manufacturers manual which is included with the tank.

- **Rinse filter screen**

If a filter screen is mounted, you can clean the inlet from particles jamming the inlet (caused by unclean water). Only necessary if the tank doesn't fill upp with water.