

# EcoDry™

## MANUAL

Note, please read the instructions before ordering or starting installation.

### How it works

#### Porcelain

Porcelain is much more hygienic and easier to keep clean than other materials such as plastic or similar. And of course – it lasts much longer.

#### Urine hose

A urine hose is mounted below the urine bowl. Urine separation makes the faeces dry, and provides a odorless experience. Water flush is possible in the urine bowl.

#### Drop pipe 200 mm

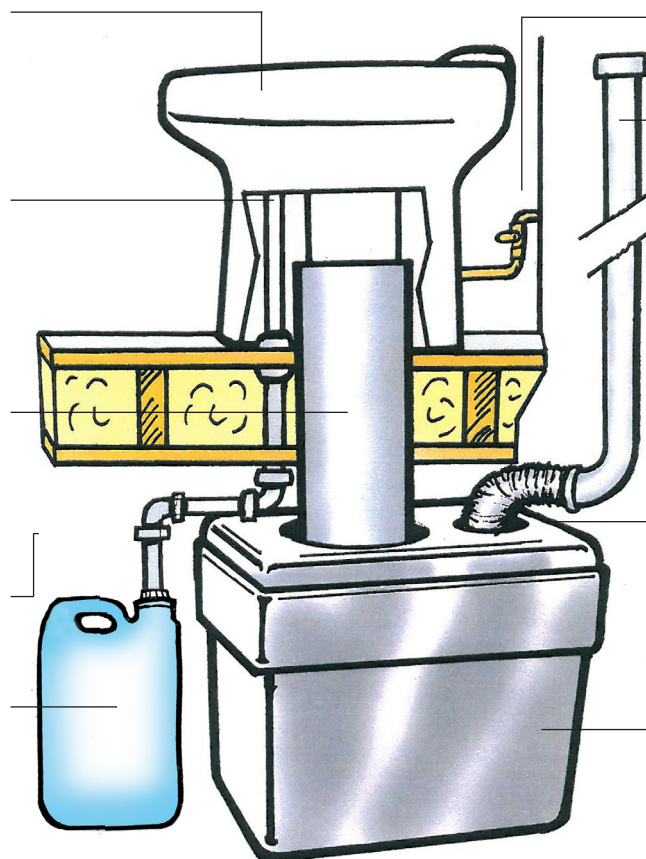
Black 200 mm (OD) drop pipe of polyethylene. The surface of the pipe is smooth, that dirt does not stick to. Long length means that the waste is not visible.

#### Urinary Drain 50mm(OD)

Urine drainage from the floor down to the urine receptacle.

#### Urine Container

The urine is collected easily in a can. Mix 25% urine and 75% water for use as plant nutrients.



#### Water connection

If water supply is possible, use R15 1/2".

#### Ventilation

Evacuates odors and airborne bacteria above the roof.

#### Fan

A fan is mounted on the lid. Makes the waste dried out, easy and smooth.

#### Dry waste

EcoDry "BOX" of 100 liters placed under the floor, where solids and paper ports. After 3 months the waste is dry, odorless and weighs only 10-20 kilos. The content is then transferred to a compost latrine for composting. The box is emptied about 1-2 times per year. A big plastic bag is suitable to put in the BOX to collect the waste.

### Details:

Water supply:	Flexible stainless steel hose. 1/2", R15
Water flush:	Water flush possible in the urine bowl.
Power water flush:	9V battery (lasts about a season). Solenoid flushes as long as the button is pressed. Battery eliminator can be selected as options.
Dimensions:	Height 450 mm, width 395 mm, depth 580 mm (note the new higher standard = 450 mm)
Urine outlet:	50 mm OD
Assembly:	Toilet is glued to the floor using wetroom silicone. Toilet is stable and should not be screwed.
Drop shaft:	200 mm (diameter). Black polyethylene. (is not included when purchasing only toilet).
Toilet Seat:	Standard white plastic seat included.



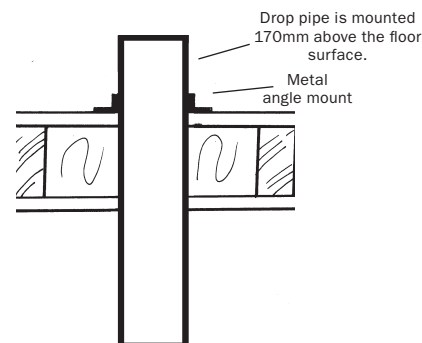
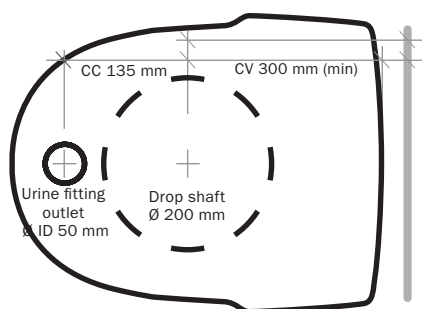
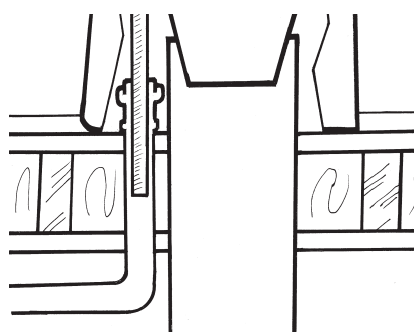
**Wostman Ecology**

Wostman Ecology AB | Språngarvägen 18 | 132 38 Saltsjö-Boo | SWEDEN  
tel +46 (0) 8 715 13 20 | fax +46 (0) 8 715 13 21 | info@wostman.se | www.wostman.se

Wostman Ecology AB is the Swedish innovative company with long experience in toilet systems and wastewater treatment.



# Example installation WC



## 1. Find exact location

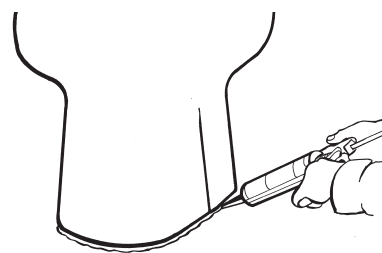
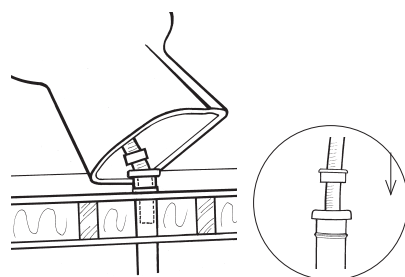
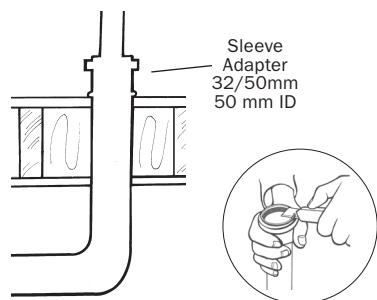
- Check that the holes don't hit heating coils, etc.
- Does the waste barrel fit beneath the floor? How deep down does it need to be?

## 2. Mark and cut holes

- Mark holes as described above.
- Cut up the holes

## 3. Mount the drop pipe

- Adjust the length of the 200mm pipe. Should stick up about 170 mm above the floor. Let it stand down as far as the collection barrel requires. (so that the "box"/device can be pulled out, without the pipe gets stuck in the bottom part.)
- Fix the pipe to the floor with angles. (Note, the 200 mm pipe can not be glued.)
- Seal the gap between the floor and drop pipe with silicone.



## 4. Install urine drains

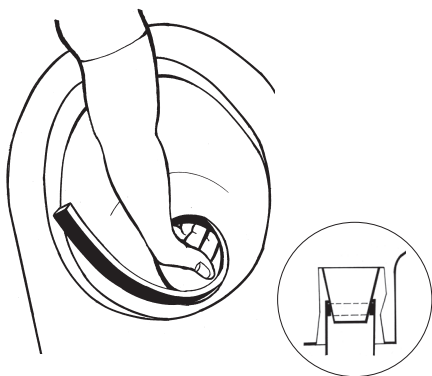
- 50 mm OD PP pipes, through the floor and proceed to the urine receptacle.
- Slide the white sleeve adapter down to the floor and seal it with silicone.
- Some brands of 50 mm pipe, has a high edge. In that case – cut edge with a knife so plastic bus tion may come down enough (Located on the urine tube).

## 5. Stick down the urine hose

- Cut the urine hose to about 30 cm. (Must be too long and knit into the 50 mm pipe.)
- Rest chair on the side, so that urinary hose going to stop in.
- Insert the hose
- Push the white plastic bushing on the urine hose down (50mm). Should seated properly.

## 6. Place and glue toilet

- Put down the toilet so it fits the 200 mm - pipe.
- Place a string of silicone around the toilet. Even with a damp finger.



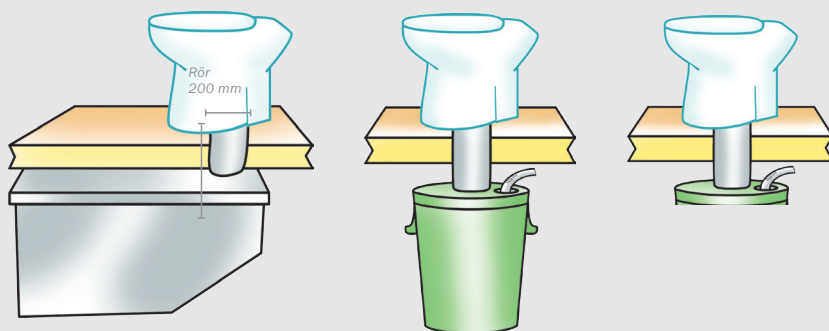
### 7. Mount the seal strip

- Put the seal strip (included) between the drop shaft and the porcelain.
- Seals and making the ventilation working properly, and prevents bacteria and odors coming up to the toilet.

### 8. Water supply – if possible

- Install a ballcock on the wall 20 cm above the floor.
- Screw on EcoDry's water connection R15.
- If water connection doesn't exist, rinse urine bowl manually with a little water.

## Other opportunities with EcoDry

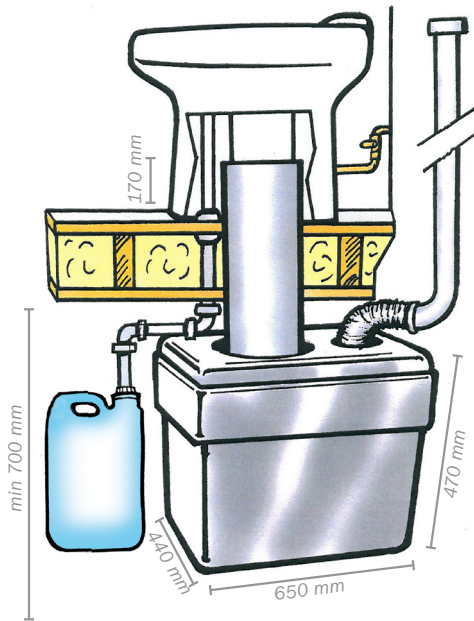


### Fits many collection devices!

EcoDry toilet can be used for many different collection units or your own solutions. Switching to EcoDry porcelain toilet is an easy way to get a higher standard!



# Collection units



## EcoDry Box

The most comfortable option. Only the toilet is visible in the toilet area. High capacity and easy management. Fan included, which makes the waste completely dry. The whole processing is done outdoors, or under floor.

### Assembly:

Follow the section "Mounting toilet". Should be about 70 cm between the joists to the surface the box is on. Good space around the box to provide urine receptacle on. The length of the drop shaft protrude 17 cm above the floor, and should not stick longer inside the box than to Boxlådán can be easily "pulled out" to empty. Connect the fan vent. hose to pipe up over the roof. Make holes in urinkär- let, and connect the drain urine / urine tube.

**Material:** Polyethylene

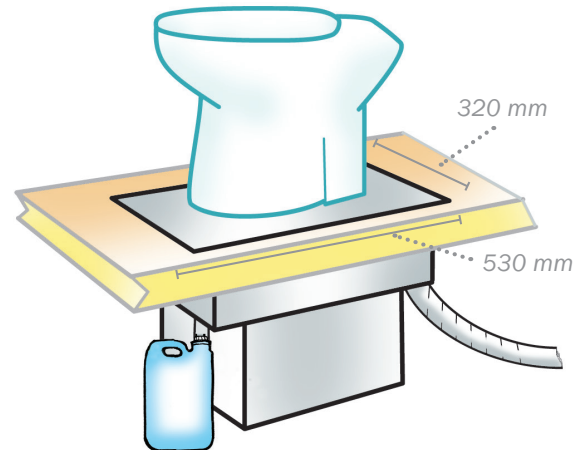
**Capacity:** 100 liters

**Drain:** approx 1 time / season

**Time until the waste is dry:** approx 3 months

**What's included:** toilet seat, toilet lid, solid waste containers (Box with lid), nedfallssrör 75cm, fan (Mounted), flexible vent.slang 1m.

**What is needed:** any extension of urinary drainage, ventilation, receptacle for urine, possibly ballofix.



## EcoDry Low Container

Compact solution that is lowered to the floor. Suitable when the space under the floor is limited. The toilet is mounted on the metal top of the container. Emptying is done by folding up the toilets forward.

### Assembly:

Read also instructions on page 2. Comes with toilet glued to the top of the container. Cut a hole in a square 530 x 320 mm. Lower down the drain / toilet in the hole and connect to the ventilation and urine containers.

**Material:** Stainless

**Kapacitet:** 28 liters

**Dump:** quarterly

**Time until the waste is dry:** approx 3 months

**What's included:** toilet seat, toilet lid, solid waste containers, fan (mounted), drop shaft (mounted), flexible vent. Hose 1 m.

**What is needed:** urinary drainage, ventilation, receptacle for urine, possibly ballofix.

# Owners manual:

## Care:

### – Drain fecal material

Emptying the box/containers waste in a latrine compost. The longer the waste may be in the Box/Container the drier and easier the waste becomes. 3 months is appropriate. Use large plastic bag/trash bag.

### – Emptying the urine container

The urine container (depending on size) is probably emptied more frequently. Keep track of this time. Then use the urine as well fertilizer by mixing 75% water, 25% urine.

### – For winter

If you do not use the toilet in the winter, turn off the water and drain all the water. Empty by flushing once after the water turned off. Tighten loose the flexi hose from the ballofix, otherwise the solenoid valve can freeze.

### – Flush the urine drains in toilet - seat

If you do not have the water flush installed, flush the toilet manually with a cup of water.

## Spare parts:

- Solenoid
- Flush equipment